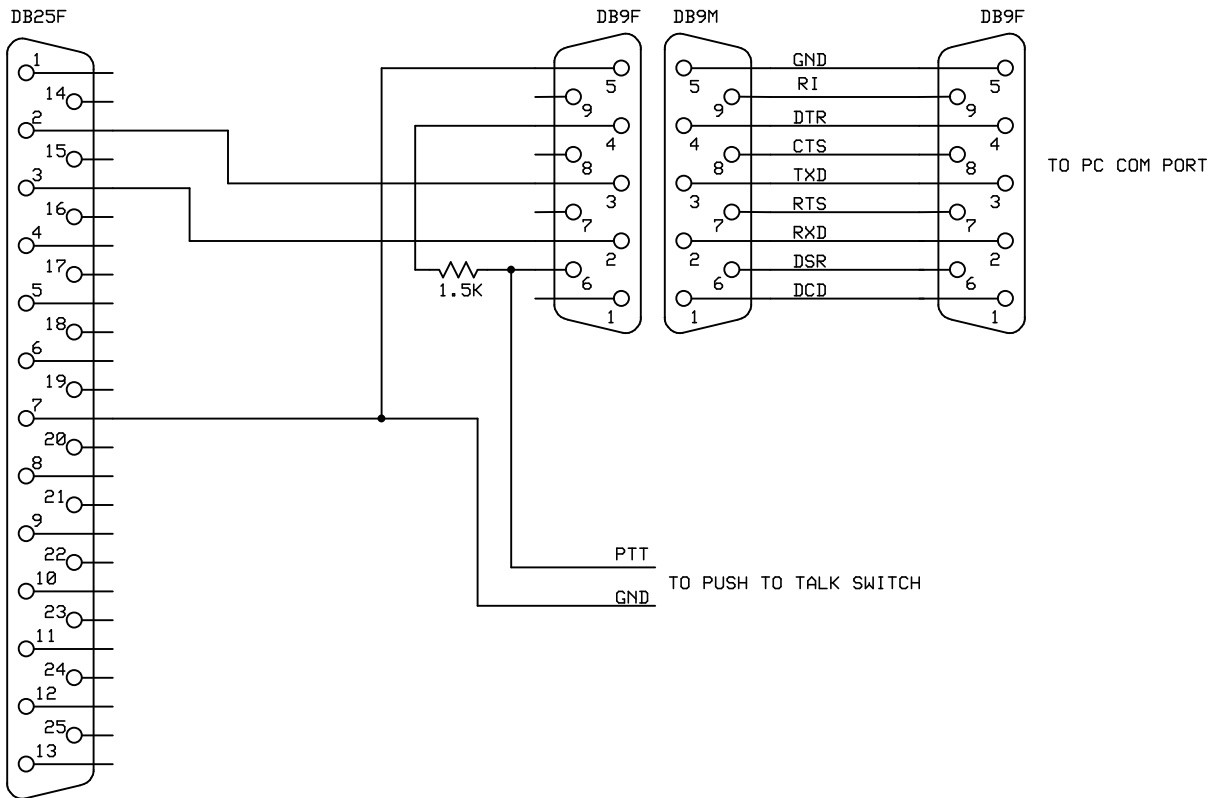


RT-1446 J9
DB25F



1. RT1446 CONTROL PROGRAM IN PC WILL SET DTR TRUE. (POSITIVE VOLTAGE OUT)
2. RT1446 CONTROL PROGRAM WILL START TRANSMITTING WHEN DSR IS LOW. (LESS THAN 1 VOLT)
3. RT1446 CONTROL PROGRAM WILL STOP TRANSMITTING WHEN DSR IS HIGH. (GREATER THAN ~2 VOLTS)
4. EXTERNAL PTT WIRING TO RT1446 MIC, AUDIO2, OR TB1 SHOULD BE DISCONNECTED.
5. NOT ALL POSSIBLE WIRING TO RT1446 J9 IS SHOWN.

K06NO

RT-1446 Software Push to Talk

K. Fowler

Rev 1.0
10/30/2016

1Y0001A